

www.daea-pump.com



# DAE-A PUMP DNVS Series

**VERTICAL, NON-CLOG, VORTEX SUMP PUMPS**



**DAE-A PUMP CO., LTD.**  
www.daea-pump.com

**ADDRESS** 175, Gojan-gil, Cheongbuk-myeon, Pyeongtaek-si, Gyeonggi-do, Republic of Korea  
**TEL** +(82)31-617-9040~5 **FAX** +(82)31-617-9046  
**WEBSITE** www.daea-pump.com



# DNVS Series

## Vertical, Inline, Single Stage, Volute Casing Centrifugal Pumps



### TYPE NOMENCLATURE

**DNVS 50 - 250**

- Pump Model
- Discharge Size (mm)
- Impeller Outer Diameter

### APPLICATIONS

- For clean water, sea water, chemicals, etc.
- In the pulp and paper industry, power plants
- Sewage treatment plants
- All other sorts of industries
- Petrochemical plants and foodstuffs industries

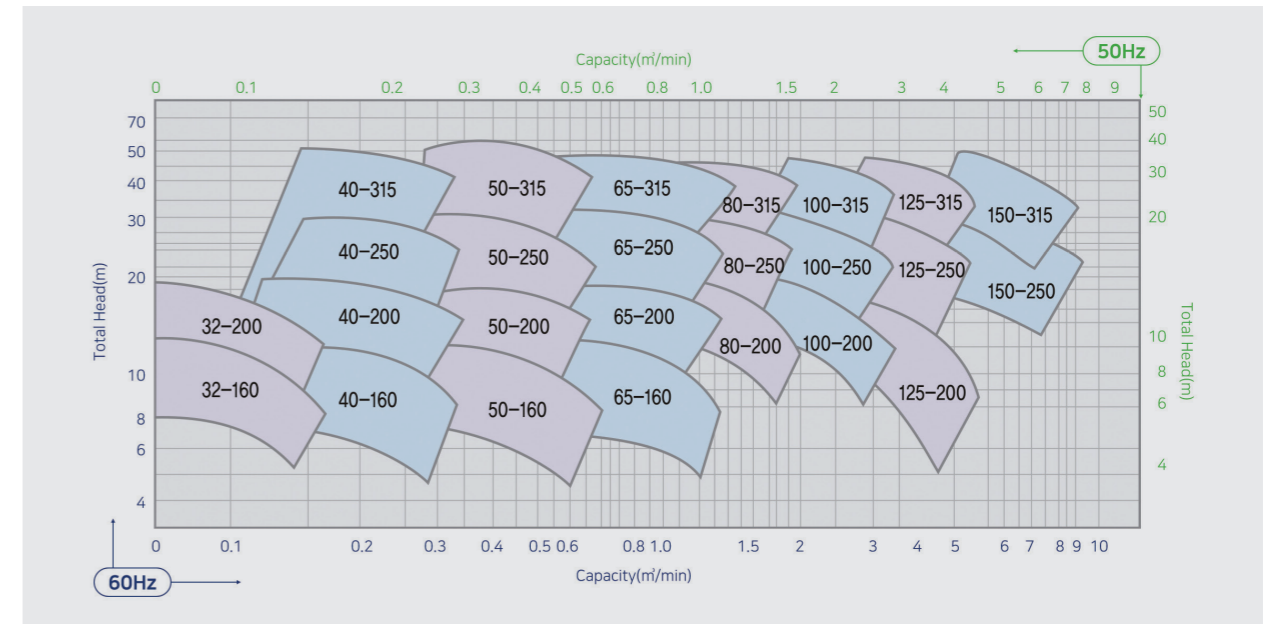
### STANDARD SPECIFICATION

|                   |  |
|-------------------|--|
| Capacity          | 0.1~10m <sup>3</sup> /min  |
| Total Head        | ~50m   |
| Temperature       | -20°C ~ 120°C  |
| Revolution        | 1750rpm(60Hz)  |
| Rotation          | C.W(Viewed from drive end)   |
| Sealing           | Grand Packing, Mechanical Seal   |
| Flanges Rating    | • Ratings : KS 10Kgf/cm <sup>2</sup> , ANSI 150lb • Facing : FF, RF<br>• Location : End Suction, Top Discharge |
| Materials         | GC200, SC420, SSC13-14-16(ASTM CF-8, CF-8M, CF-3M)   |
| Bearing Lubricant | Grease Type  |

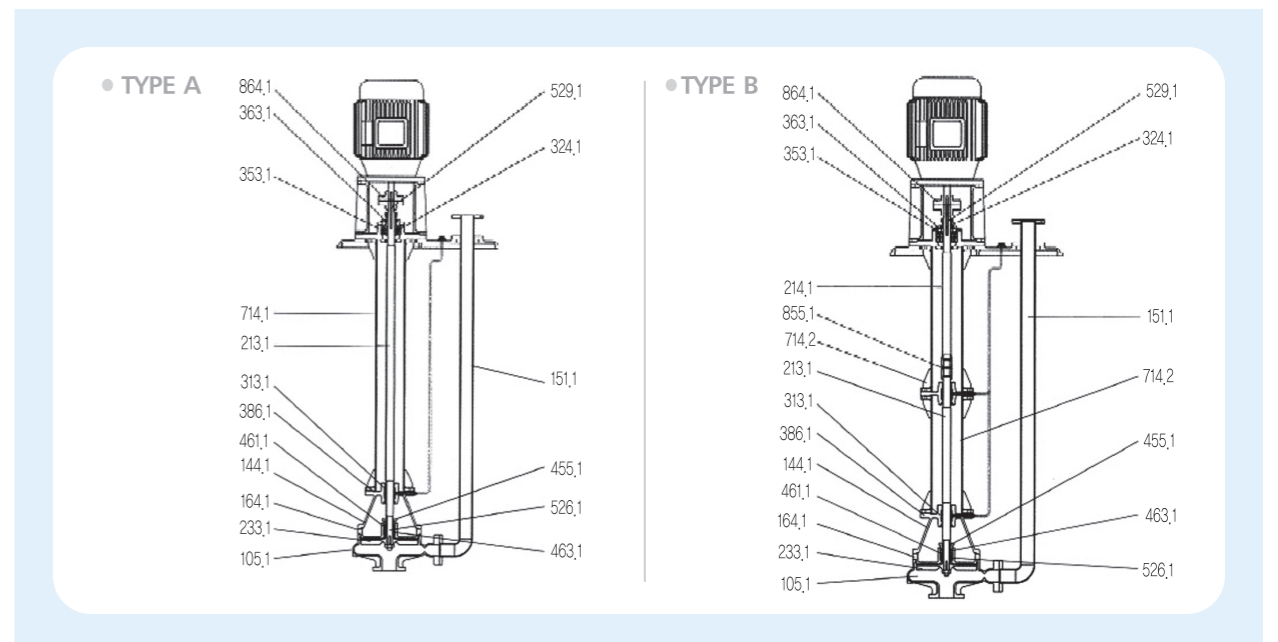
### DESIGN AND CONSTRUCTION FEATURES

- Gas tight base plate available if requested
- Special materials(stainless steel etc.) available
- Smooth and operation is guaranteed
- Reduced installation space and suitable for automatic operation

### SELECTION CHART



### SECTIONAL DRAWING



| No.   | MODEL            | MATERIAL |        |        |        |        |         | Q'ty  | No.              | MODEL            | MATERIAL     |                 |                 |                   |        |        | Q'ty |
|-------|------------------|----------|--------|--------|--------|--------|---------|-------|------------------|------------------|--------------|-----------------|-----------------|-------------------|--------|--------|------|
|       |                  | CLASS1   | CLASS2 | CLASS3 | CLASS4 | CLASS5 | CLASS6  |       |                  |                  | CLASS1       | CLASS2          | CLASS3          | CLASS4            | CLASS5 | CLASS6 |      |
| 105.1 | VOLUTE CASING    | GC200    | GC250  | GCD45  | SSC13  | SSC14  | SSC16   | 1     | 455.1            | PACKING GLAND    | GC200        | SSC13           | SSC14           | SSC16             | 1      |        |      |
| 144.1 | ADAPTER          | GC200    |        | SSC13  | SSC14  | SSC16  | 1       | 461.1 | LANTERN RING     | BC6              | SSC13        | SSC14           | SSC16           | 1                 |        |        |      |
| 146.1 | SUCTION STRAINER | STS304   |        |        |        | STS316 | STS316L | 1     | 464.1            | PACKING          | NON METALLIC |                 |                 |                   | 1set   |        |      |
| 164.1 | CASING COVER     | GC200    | GC250  | GCD45  | SSC13  | SSC14  | SSC16   | 1     | 505.1            | CASING WEAR RING | BC6          | SSC13           | SSC14           | SSC16             | 1      |        |      |
| 213.1 | SHAFT(UPPER)     | SM45C    |        |        | STS304 | STS316 | STS316L | 1     | 526.1            | SHAFT SLEEVE     | STS304       |                 | STS316          | STS316L           | 1      |        |      |
| 214.1 | SHAFT(LOWER)     | SM45C    |        |        | STS304 | STS316 | STS316L | 1     | 529.1            | SHAFT SEAT       | SM45C        |                 |                 |                   | 1      |        |      |
| 233.1 | IMPELLER         | GC200    | GC250  | GCD45  | SSC13  | SSC14  | SSC16   | 1     | 151.1            | DISCHARGE PIPE   |              |                 |                 |                   | 1      |        |      |
| 313.1 | SLEEVE BEARING   | LBC4     |        |        | CARBON |        |         |       | 714.1            | COLUMN PIPE      | SPP+SS41     | STS304TP+STS304 | STS316TP+STS316 | STS316LTP+STS316L | 1      |        |      |
| 324.1 | BALL BEARING     | STB2     |        |        |        |        | 1set    | 714.2 | COLUMN PIPE      |                  |              |                 |                 | 1                 |        |        |      |
| 353.1 | BEARING HOUSING  | GC200    |        |        |        |        | 1       | 855.1 | SCREWED COUPLING | STS304           | STS304       | STS316          | STS316L         |                   |        |        |      |
| 363.1 | BEARING COVER    | GC200    |        |        |        |        | 1       | 864.1 | COUPLING         | GC200            |              |                 |                 | 1                 |        |        |      |
| 386.1 | BEARING SPIDER   | G        | SSC13  | SSC14  | SSC16  |        |         |       |                  |                  |              |                 |                 |                   |        |        |      |