

# DAE-A PUMP DMVP Series

VERTICAL MIXED FLOW PUMPS



DAE-A PUMP CO., LTD.  
www.daea-pump.com

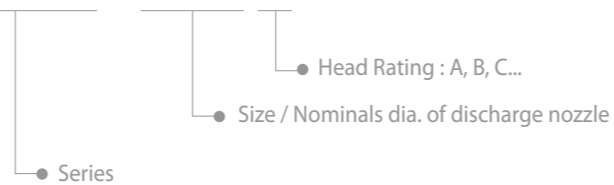
# DMVP Series

## Vertical Mixed Flow Pumps, Pull-out Type



### TYPE NOMENCLATURE

**DMVP 500 B**



### APPLICATIONS

- General Industries : For Water intake, Supply, Drainage
- Thermal Power Plant : For Cooling Water, Circulation
- Nuclear Power Plant : For Circulation, Cooling Water

### STANDARD SPECIFICATION

Capacity	10~1200m <sup>3</sup> /min
Total Head	10~50m
Temperature	0°C ~ 40°C
Revolution	270rpm~1750rpm(60Hz)
Rotation	C.W(Viewed from drive end)
Sealing	Grand Packing
Flanges Rating	• Ratings : KS 10Kgf/cm <sup>2</sup> (JIS 10Kgf/cm <sup>2</sup> ), ANSI 150lb • Facing : FF, RF
Materials	• GC200, SC420, SSC13-14-16(ASTM CF-8, CF-8M, CF-3M) • Hastelloy-B-C, Titanium, Carpenter20, Alloy-20
Bearing Lubricant	Grease Type

※ The out of the above range can be supplied according to customer's order placement

### DESIGN AND CONSTRUCTION FEATURES

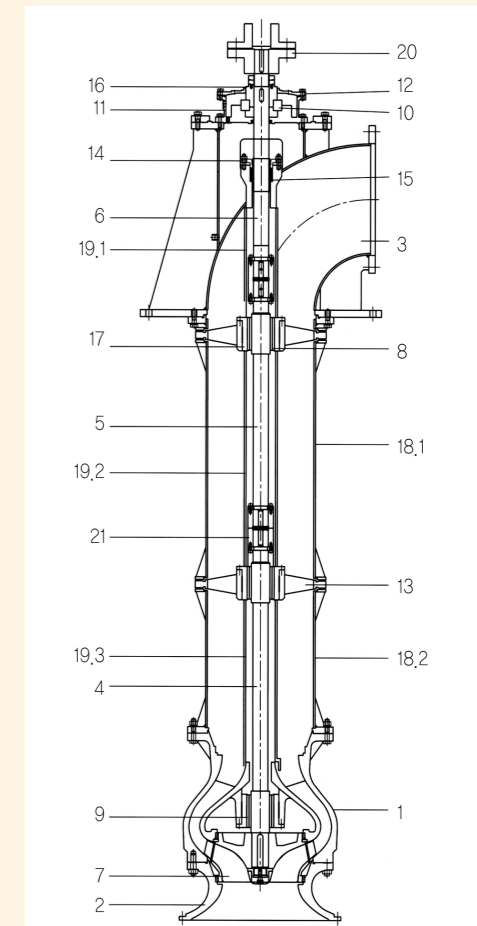
- The pumps shall be pullout type designed to removed all internals
- Without disturbing the discharge column or other major components
- Installation Place : Indoor and outdoor
- Impeller : Open or Semi Open type having blade of 3 Dimension

### SECTIONAL DRAWING

No.	MODEL	Q'ty	MATERIAL		
			CLASS1	CLASS2	CLASS3
1	Guide Casing	1			
2	Suction Bell	1	GC200		SSC13
3	Discharge Elbow	1			
4	Shaft(Lower)	1			
5	Shaft(Middle)	1	SM45C		STS304
6	Shaft(Upper)	1			
7	Impeller	1	CAC406	SSC13	SSC13
8	Sleeve Bearing	2	RUBBER+SSC13 or CAC406		
9	Sleeve Bearing	1	RUBBER+SSC13 or CAC406		
10	Ball Bearing	1		STB2	
11	Bearing Housing	1		GC200	
12	Bearing Cover	1		GC200	
13	Bearing Spider	2	SM45C		SSC13
14	Packing Gland	1	SM45C		SSC13
15	Packing	5	NON-METALLIC		
16	Centering Sleeve	1	SM45C		SM13
17	Bearing Sleeve	3	STS304		STS304
18.1	Column Pipe(Upper)	1		SPP	STS304TP
18.2	Column Pipe(Lower)	1		SPP	STS304TP
19.1	Shaft Pro.Pipe(Upper)	1			
19.2	Shaft Pro.Pipe(Middle)	1			STS304TP(Optional)
19.3	Shaft Pro.Pipe(Upper)	1			
20	Coupling	1Set		GC200	
21	Screwed Coupling	1Set		STS304	

- CLASS 1 : Intake, Industrial water, Agricultural water, Drainage
- CLASS 2 : Urbans, Drainage at mills, Filthy water
- CLASS 3 : Seawater

※ Shaft protec.pipe is standard for only sewage system (Influent & Effluent)



### SELECTION CHART

