

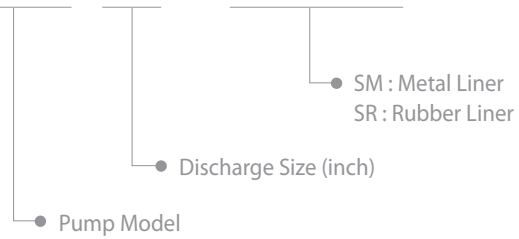
DHV Series

SLURRY SMP PUMP



TYPE NOMENCLATURE

DHV 80 - SM/SR



APPLICATIONS

- Floor drainage
- Sump drainage / Washdown
- Mil sumps
- Carbon transfer

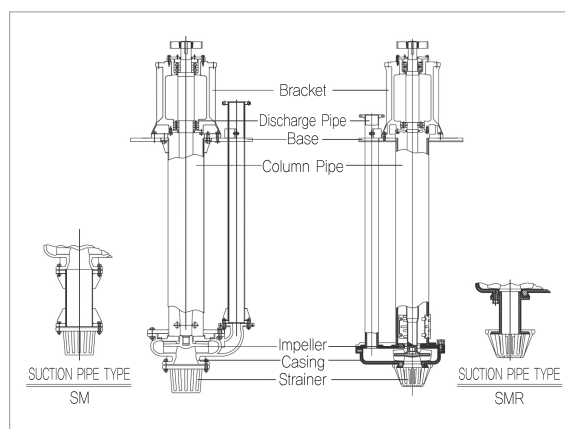
STANDARD SPECIFICATION

Capacity	~500m ³ /hr
Head	~50m
Bore	Ø40 ~ Ø200

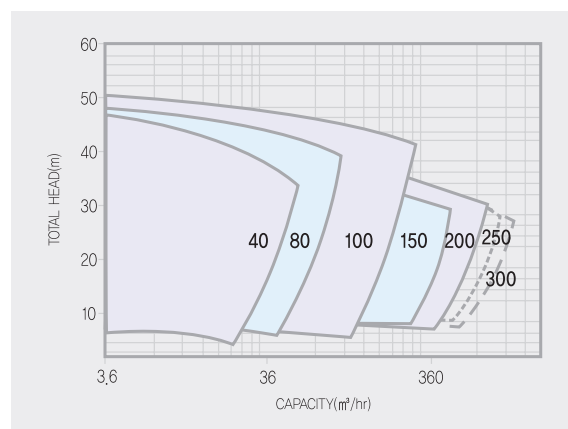
DESIGN AND CONSTRUCTION FEATURES

- The DHV-SM and SR designs, manufactured in popular metric sizes, provide a simple, yet rugged of sump pumps specially developed for : Large particle size, High slurry densities

SELECTION ATTANGEMENT (Options-Rubber or Metal)



SELECTION CHART



DAE-A PUMP CO., LTD.
www.daea-pump.com

DAE-A PUMP

DH Series

NON-CLOG ABRASIVE SLURRY PUMP

ADDRESS 175, Gojan-gil, Cheongbuk-myeon, Pyeongtaek-si, Gyeonggi-do, Republic of Korea
TEL +(82)31-617-9040~5 **FAX** +(82)31-617-9046
WEBSITE www.daea-pump.com

DH Series

NON-CLOG ABRASIVE SLURRY PUMP



TYPE NOMENCLATURE

DHC 80 - 50

- Discharge Size (inch)
- Suction Size (mm)
- Pump Model

APPLICATIONS

- Paper and pulp, Mill Discharge, Bottom Boiler Fly
- Power Plant, Chemical Process, Heavy Minerals
- Ash Cyclone Feed, Slag Granulation, Suction Hopper
- Dredging, Barge Loading Mill Discharge, Sand Reclamation

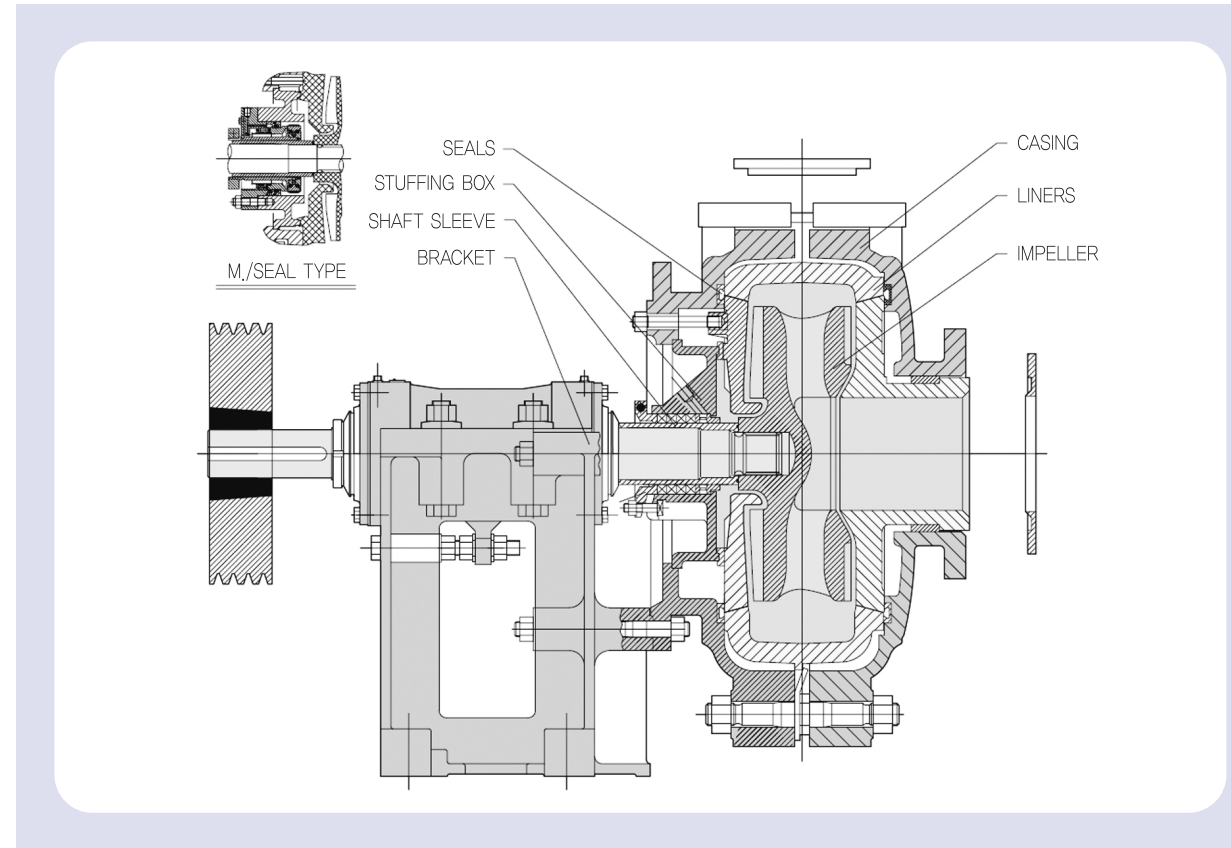
STANDARD SPECIFICATION

Capacity	~7200m ³ /min
Head	~85m
Bore	Ø25 ~ Ø800
Impeller Type	Non-clog(Open & Close)
Rotation	C.W(Viewed from drive end)
Driving by change of number of rotations	(V-Belt Standard)
Shaft Sealing	Mechanical Seal & Gland Packing

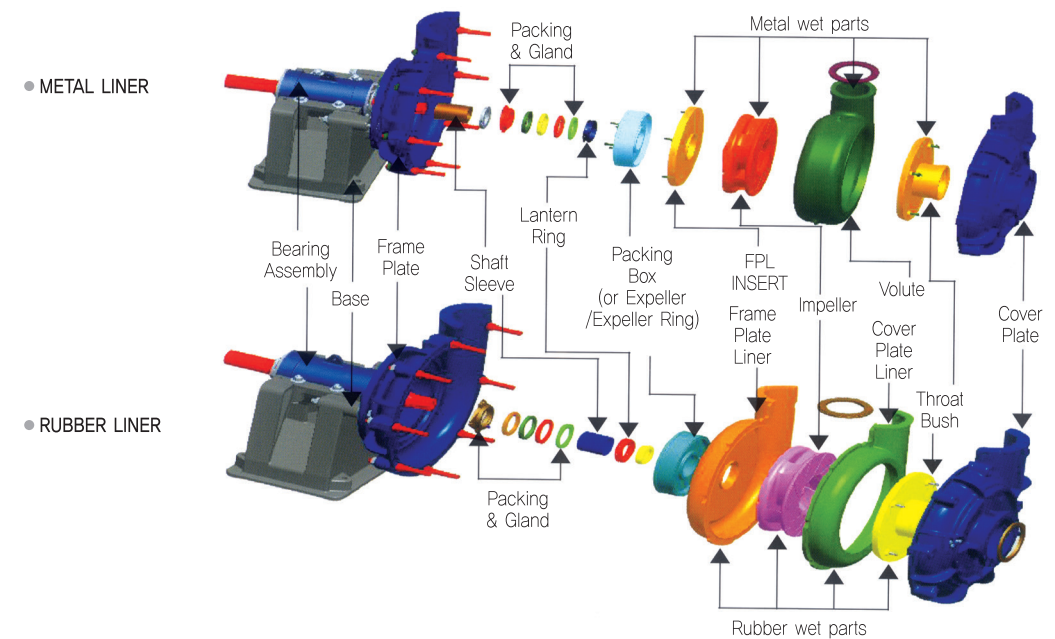
DESIGN AND CONSTRUCTION FEATURES

- Paper and pulp, Mill Discharge, Bottom Boiler Fly
- Power Plant, Chemical Process, Heavy Minerals
- Ash Cyclone Feed, Slag Granulation, Suction Hopper
- Dredging, Barge Loading Mill Discharge, Sand Reclamation

SELECTION VIEW

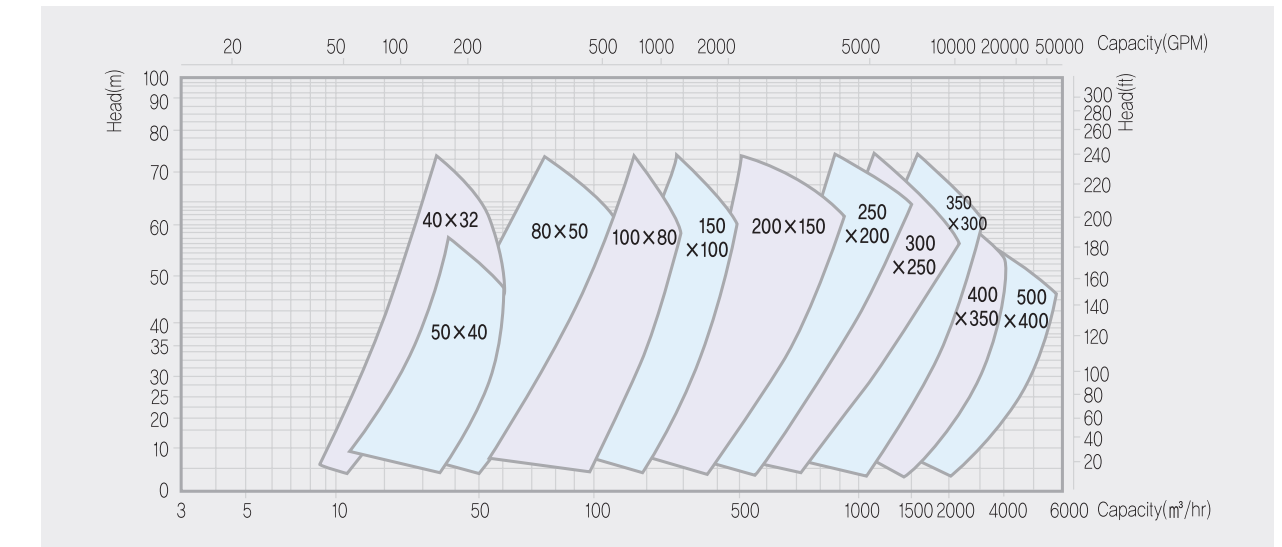


	LINERS	IMPELLER	CASING	BRACKET	STUFFING BOX	SHAFT SLEEVE	SEALS
Standard	Chrome Alloy Natural Rubber	Chrome Alloy Natural Rubber	SG Iron	SG Iron	Chrome Alloy of SG Iron	CD4MCu	Natural Rubber
Options	Hastelloy C 316SS	Hastelloy C 316SS	Fabricated Cast Iron	Fabricated Cast Iron	Hastelloy C 316SS	Titanium Hastelloy C316SS STD420J2	-



DHC | Heavy Duty Slurry Pump

- DHC series is Double casing structure.
- DHC series has Rubber type and Metal type.
- Metal type's content Cr 26~28% and Hardness HRC 60 are Standard.
- Rubber type use natural rubber.
- If client wants, we can change content Cr and Hardness HRC.
- Motor Rating is subject to liquid condition(Sp/Gr. Visc) ex)Grand packing, Expeller sealing, Mechanical sealing, Kim's sealing etc.
- DHC series efficiency is best because it is best design.
- DHC series can be used in Steel Veal, Mining, Power plant, Cement, Transporting sand, Chemical.



DHH | Heavy Duty High Head Lined Slurry Pump

- DHH series is Double casing structure.
- DHH series has Metal type.
- Metal type's content Cr 26rN28% and Hardness HRC 60 are Standard.
- If client wants, we can change content Cr and Hardness HRC.
- Motor Rating is subject to liquid condition(Sp/Gr. Visc)
- We have many sealing types, ex)Grand packing, Expeller sealing, Mechanical sealing, Kim's sealing etc.
- DHH series efficiency is best because it is best design.
- DHH series can be used in Steel Meal, Mining, Power plant, Cement, Transporting sand, Chemical.
- DHH series carry slurry highly on IOW speed.

