

www.daea-pump.com



DAE-A PUMP DFS Series

FRP HORIZONTAL PUMPS
FRP VERTICAL NON SEAL PUMPS



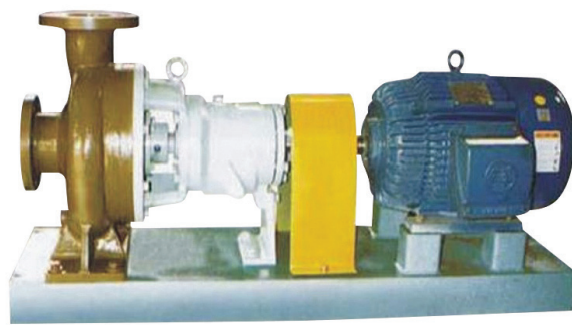
DAE-A PUMP CO., LTD.
www.daea-pump.com

ADDRESS 175, Gojan-gil, Cheongbuk-myeon, Pyeongtaek-si, Gyeonggi-do, Republic of Korea
TEL +(82)31-617-9040~5 FAX +(82)31-617-9046
WEBSITE www.daea-pump.com



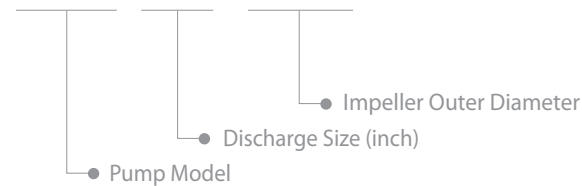
DFS Series

FRP Horizontal Type



TYPE NOMENCLATURE

DFS 50 - 220



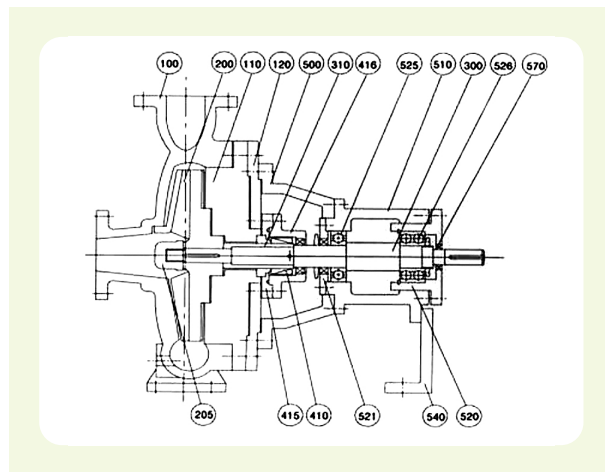
APPLICATIONS

- Transport for various chemicals
- Food, Medicine Transfer
- Fly ash coal dust
- Polluted Waste Treatment

FEATURES

- Excellent in corrosion and chemical resistance (Acids, Alkalies, Salts, Solvents etc)
- Excellent in thermal resistance and insulation
- No elation of metallic ions
- High mechanical strength by reinforcement with glass fibers

SECTIONAL DRAWING



No.	MODEL	MATERIAL	Q'TY	REMARKS
100	Casing	FRP	1	Outside
110	Casing Cover	FRP	1	
120	Casing Support	SS400	1	
200	Impeller	FRP	1	
205	Impeller Nut	TITANIUM	1	
300	Shaft	STS304	1	
310	Sleeve	FRP	1	
410	Mech Seal	-	1	
415	Seal Gland	STS304	1	
146	Seal Box	SSC13	1	
500	Adaptor	GC200	1	
510	B/R Housing	GC200	1	
520	Bearing Case	GC200	1	
521	Bearing Cover	GC200	1	
525	Bearing	STB2	1	
526	Bearing	STB23	1	
540	Support	SS400	1	
570	Oil Seal	NBR	1	

SELECTION CHART

MODEL	BORE SUC×DIS	CAPACITY (m ³ /min)	HEAD (m)	MOTOR	
				kW	rpm
DFS25-180	32×25	0.08	15	1.5	1750
DFS32-180	40×40	0.15	10	1.5	1750
DFS32-220			18	2.2	1750
DFS40-180	50×40	0.25	10	1.5	1750
DFS40-220			18	2.2	1750
DFS40-270	65×50	0.45	28	3.7	1750
DFS50-220			18	3.7	1750
DFS50-270	80×65	0.9	28	5.5	1750
DFS65-220			18	5.5	1750
DFS65-270	80×65	0.9	25	11	1750
DFS65-330			45	19	1750

MODEL	BORE SUC×DIS	CAPACITY (m ³ /min)	HEAD (m)	MOTOR	
				kW	rpm
DFS80-220	100×80	1.6	18	11	1750
DFS80-270			29	15	1750
DFS80-330			45	30	1750
DFS100-220	125×100	2.5	18	15	1750
DFS100-270			29	22	1750
DFS100-330			45	37	1750
DFS125-220	150×125	4.0	18	19	1750
DFS125-270			29	37	1750
DFS125-330			45	55	1750
DFS150-270	200×150	6.0/6.5	18	45	1750
DFS150-330			45	75	1750

FRP Vertical Non Seal Pump

FEATURES

- Zero leakage by special structural design
 - Applied special structural design to solve the leakage-related problem that is the biggest pump trouble.
- Complete removal of shaft seal
 - Removed m/seal and bracket bearing used to prevent leakage by solve the leakage-related problem structurally.
- Energy saving
 - No friction loss by shaft seal. Therefore, pump efficiency is improved and power consumption is reduced by 30%.
- Prevention of environmental pollution
 - No leakage and no chance to have any pump accident. Therefore, environmental pollution or disaster by the leakage of highly corrosive, inflammable, explosive and toxic liquid transferred by pumps is prevented.
- Idling function
 - A certain clearance is given between casing cover and shaft. Therefore, idling function is supported and there is no chance to have any accident caused by the carelessness of pump operator.
- Zero maintenance fee
 - The existing pumps require the replacement of seal 1~2 times a year and generates a lot of costs including the costs for damage to overloaded motor and for cleaning of leaked liquid. However, a vertical non-seal pump doesn't require such costs at all.
- Semi-permanent life
 - A simple and compact structure composed of FRP materials with high corrosion, thermal and wear resistance. Therefore, it is free from mechanical trouble or chemical corrosion and has a semi-permanent life against any liquid.
- Low noise, low vibration, light weight and easy installation
 - It is light-weighted and easy to handle and generates extremely low noise and vibration because it requires no centering work during the installation and causes no cavitation during the operation.



APPLICATIONS

- Circulation pump for scrubber (wash tower)
 - As a circulation pump for scrubber, this vertical non seal pump that is light weighted and requires a small area for installation hardly causes mechanical trouble. Therefore, it is suitable for pumps for exclusive use.
- Circulation and agitation pump for electroless nickel-plated liquid, general plated liquid, filter and heat exchanger
- Circulation pump for reactor and mixing chamber

SELECTION CHART

