

www.daea-pump.com



DAE-A PUMP

DDV Series

**HORIZONTAL, DOUBLE SUCTION
VOLUTE CASING CENTRIFUGAL PUMPS**



DAE-A PUMP CO., LTD.
www.daea-pump.com

ADDRESS 175, Gojan-gil, Cheongbuk-myeon, Pyeongtaek-si, Gyeonggi-do, Republic of Korea
TEL +(82)31-617-9040~5 **FAX** +(82)31-617-9046
WEBSITE www.daea-pump.com

 **DAE-A PUMP**

DDV Series

Horizontal, Double Suction, Volute Casing Centrifugal Pumps

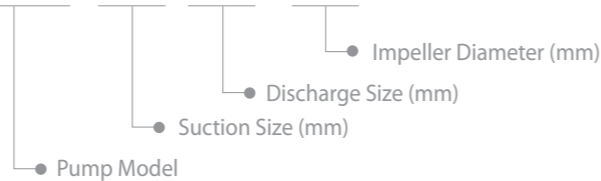


APPLICATIONS

- Water treating industries
- Water circulation, drainage, supply
- Pulp and paper industry
- All other sorts of industries
- Sea Water

TYPE NOMENCLATURE

DDV 30 25 - 40



STANDARD SPECIFICATION

Capacity	3.0~150m ³ /min
Total Head	~180m
Temperature	-20°C ~ 120°C
Revolution	880rpm~1750rpm(60Hz)
Rotation	C.W(Viewed from drive end)
Sealing	Gland Packing, Mechanical Seal
Flanges Rating	• Ratings : KS 10Kgf/cm ² (JIS 10Kgf / cm ²), ANSI 1510lbs • Facing : FF, RF • Location : Side Suction, Side Discharge
Materials	GC200, SC420, SSC13-14-16(ASTM CF-8, CF-8, CF8M, CF-3M)
Bearing Lubricant	Grease Type

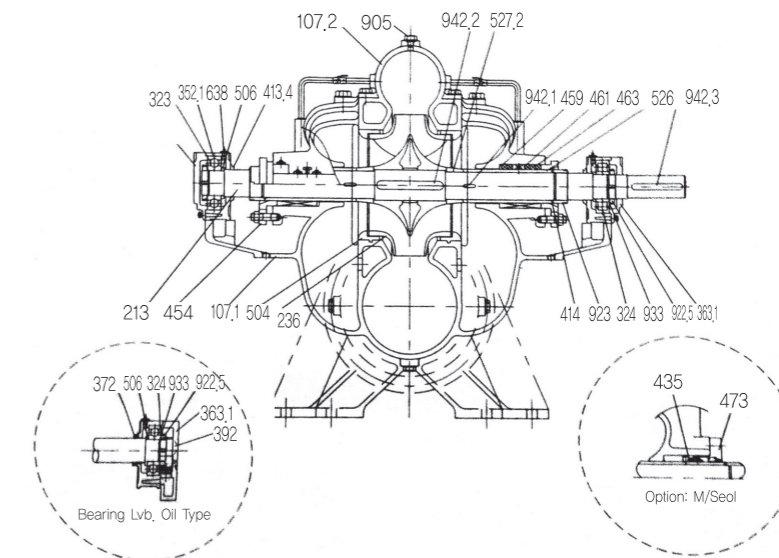
DESIGN AND CONSTRUCTION FEATURES

- High efficiency
- Good suction performance and stables
- Designed as split casing type, repair and maintenance are easy
- Dynamically and hydraulically balanced impeller

SELECTION CHART



SECTIONAL DRAWING



No.	MODEL	MATERIAL	No.	MODEL	MATERIAL
107.1	Casing Lower Half	GC200	459	Packing Seat	SM45C
107.2	Casing Upper Half	GC200	461	Lantern Ring	GC200
213	Shaft	SM45C	463	Racking	COTTON
236	Impeller	GC200	473	M/Seal Cover	GC200
323	Ball Bearing	STEEL	504	Casing Ring	SS400
324	Roller Bearing	STEEL	506	Bearing Seat	STS304
352.1	Bearing Housing	GC200	526	Shaft Sleeve	BC6
363	Bearing Cover-E	GC200	638	Grease Nipple	BC6
363.1	Bearing Cover	GC200	905	Plug	SM45C
372	Deflector	BC6	922.5	Bearing Nut	SM45C
392	Constant Level Oiler	GLASS	923	Shaft Nut	SM45C
413.4	V-Ring	RUBBER	933	Bearing Washer	SM55C
414	O-Ring	RUBBER	942.1	Key	SM55C
435	Mechanical Seal	SIC/CARBON	942.2	Key	SM55C
454	Packing Gland	GC200	942.3	Key	-