

www.daea-pump.com



DAE-A PUMP DASV Series

**HORIZONTAL, SINGLE STAGE, VOLUTE CASING CENTRIFUGAL
PUMPS ACCORDING TO THE ANSI B73.1 M STANDARD**



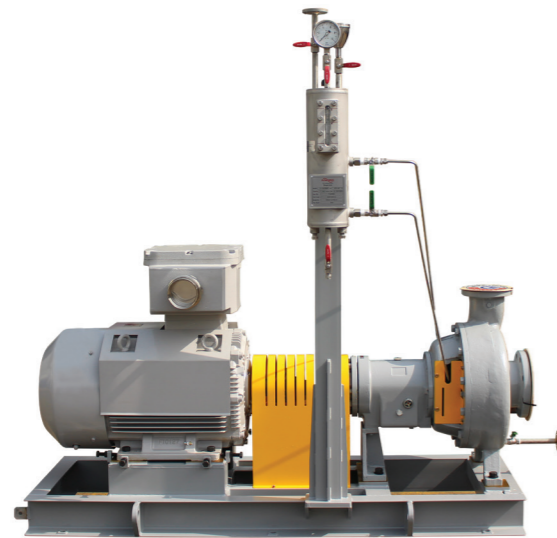
DAE-A PUMP CO., LTD.
www.daea-pump.com

ADDRESS 175, Gojan-gil, Cheongbuk-myeon, Pyeongtaek-si, Gyeonggi-do, Republic of Korea
TEL +(82)31-617-9040~5 **FAX** +(82)31-617-9046
WEBSITE www.daea-pump.com

 **DAE-A PUMP**

DASV Series

Horizontal, Single stage, Volute Casing Centrifugal Pumps According to the ANSI B73.1 M standard



STANDARD

- ANSI B73.1M

APPLICATIONS

- Water treating industries
- Chemical industries
- Chemical refineries

STANDARD SPECIFICATION

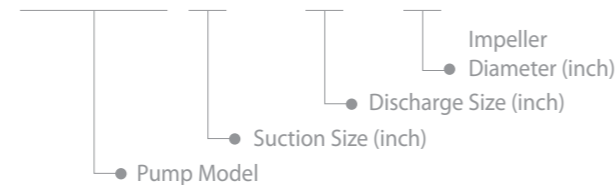
Capacity	10m ³ /hr ~ 1,000m ³ /hr
Total Head	~230m
Temperature	-20°C ~ 120°C
Revolution	1750rpm, 3500rpm(60Hz)
Rotation	C.W(Viewed from drive end)
Sealing	Gland Packing, Mechanical Seal
Flanges Rating	• Ratings : ANSI 1510lbs • Facing : FF, RF • Location : End Suction, Top Discharge
Materials	GC200, SC420, SSC13-14-16(ASTM CF-8, CF-8, CF8M, CF-3M) / Hastelloy-B-C, Titanium, Carpenter20, Alloy-20
Bearing Lubricant	Oil Bath

DESIGN AND CONSTRUCTION FEATURES

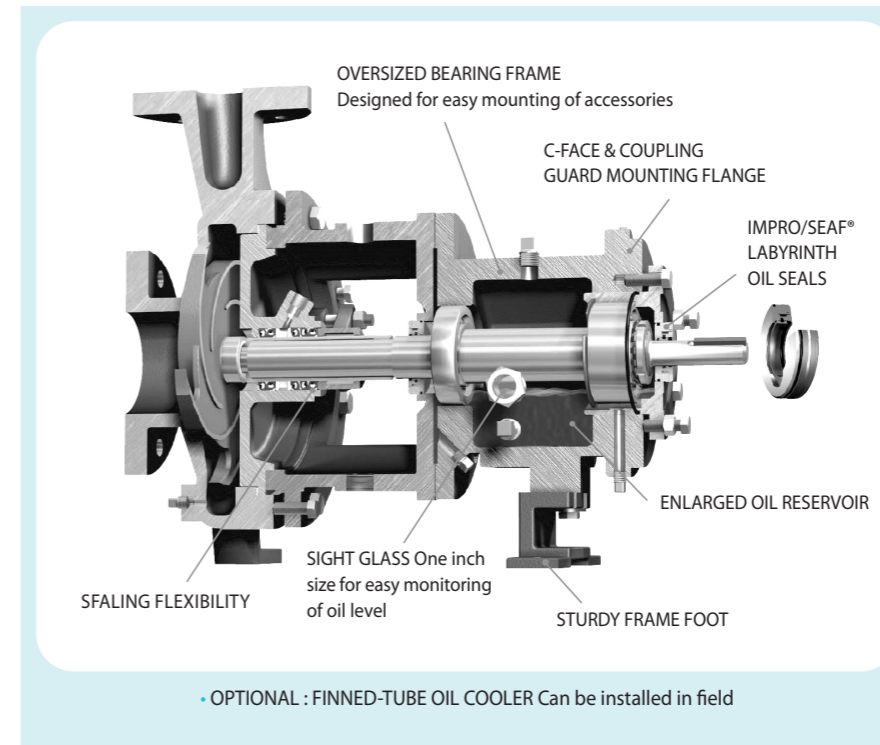
- Full compliance with ANSI B73.1M standard
- Maximum efficiency
- Low NPSHr with precise casting of open type impeller
- Back Pull-Out structure is designed with easy maintenance
- Heavy duty design

TYPE NOMENCLATURE

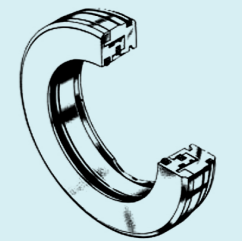
DASV 3 × 2 - 6



ANSI MODEL STRUCTURE



Achievement of high efficiency and low NPSHr due to accuracy casting of impeller

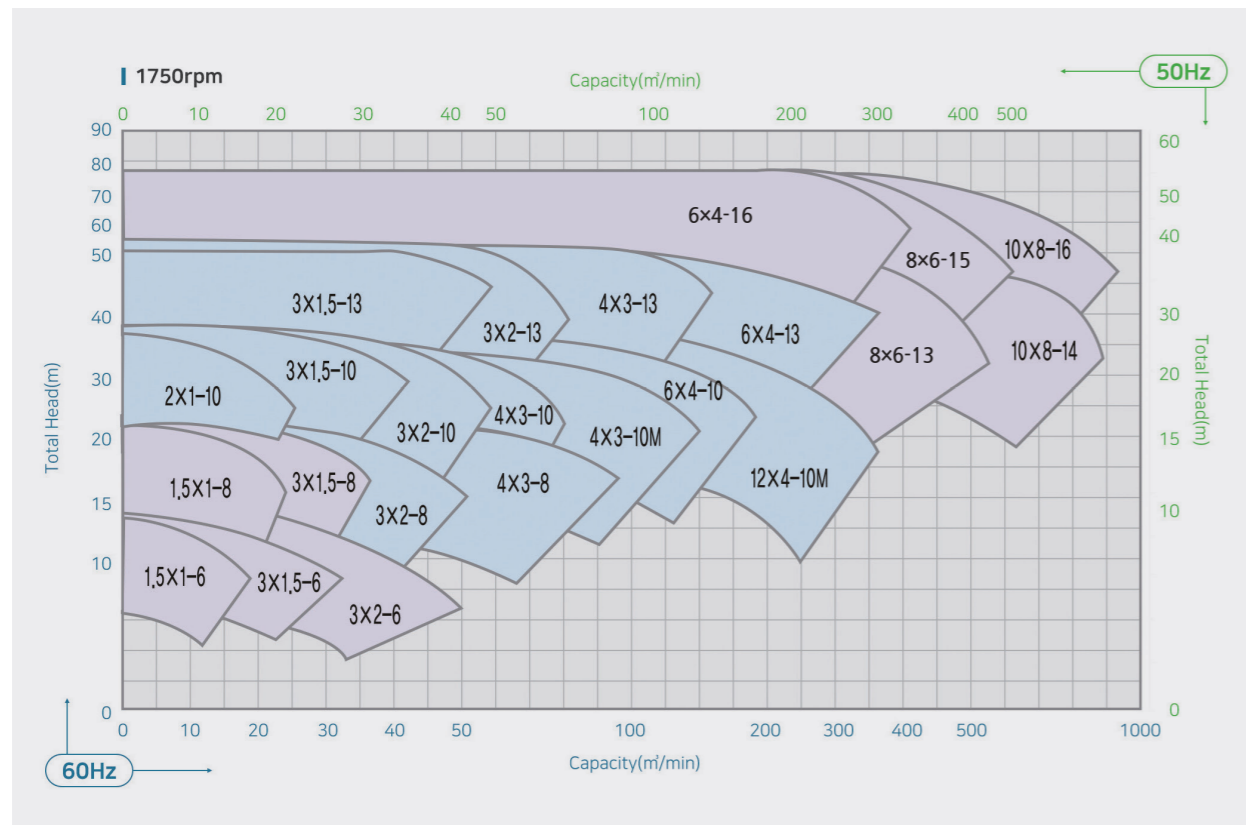
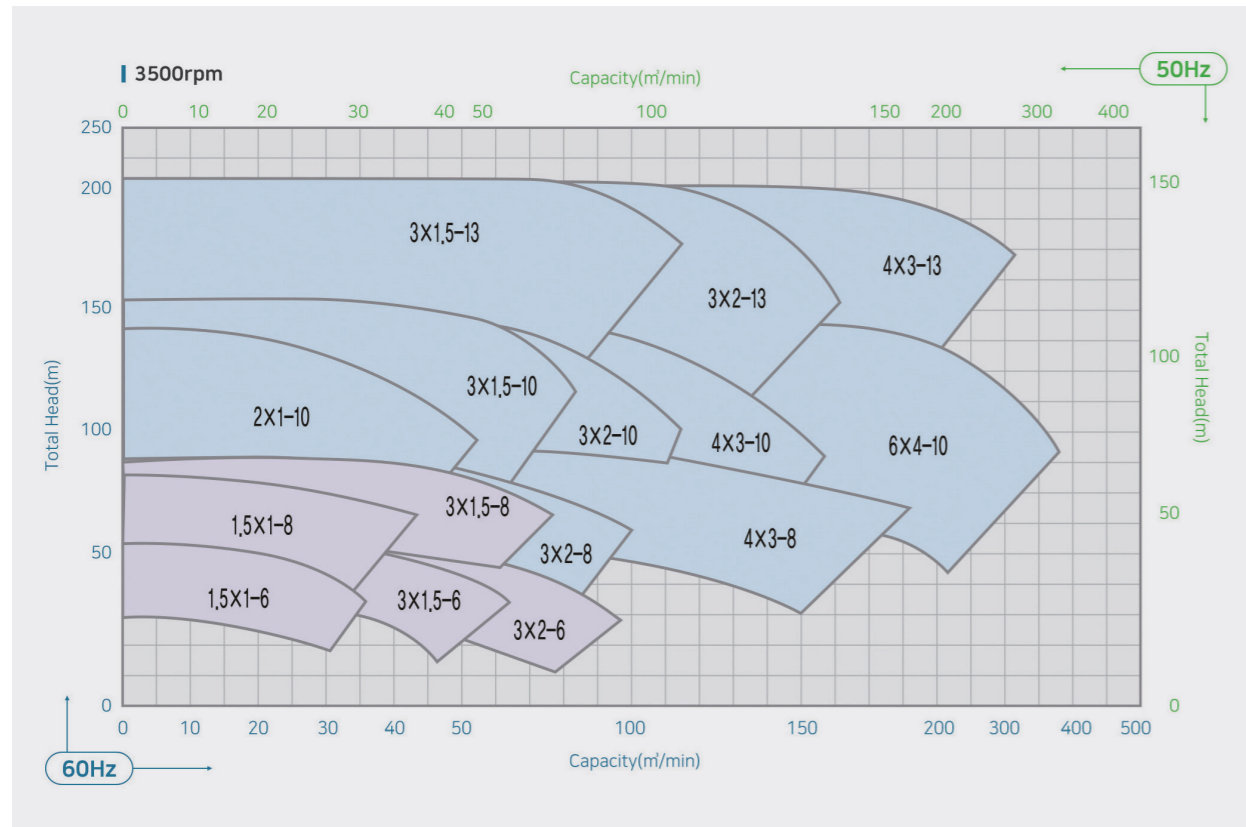


Labyrinth Oil-Seal

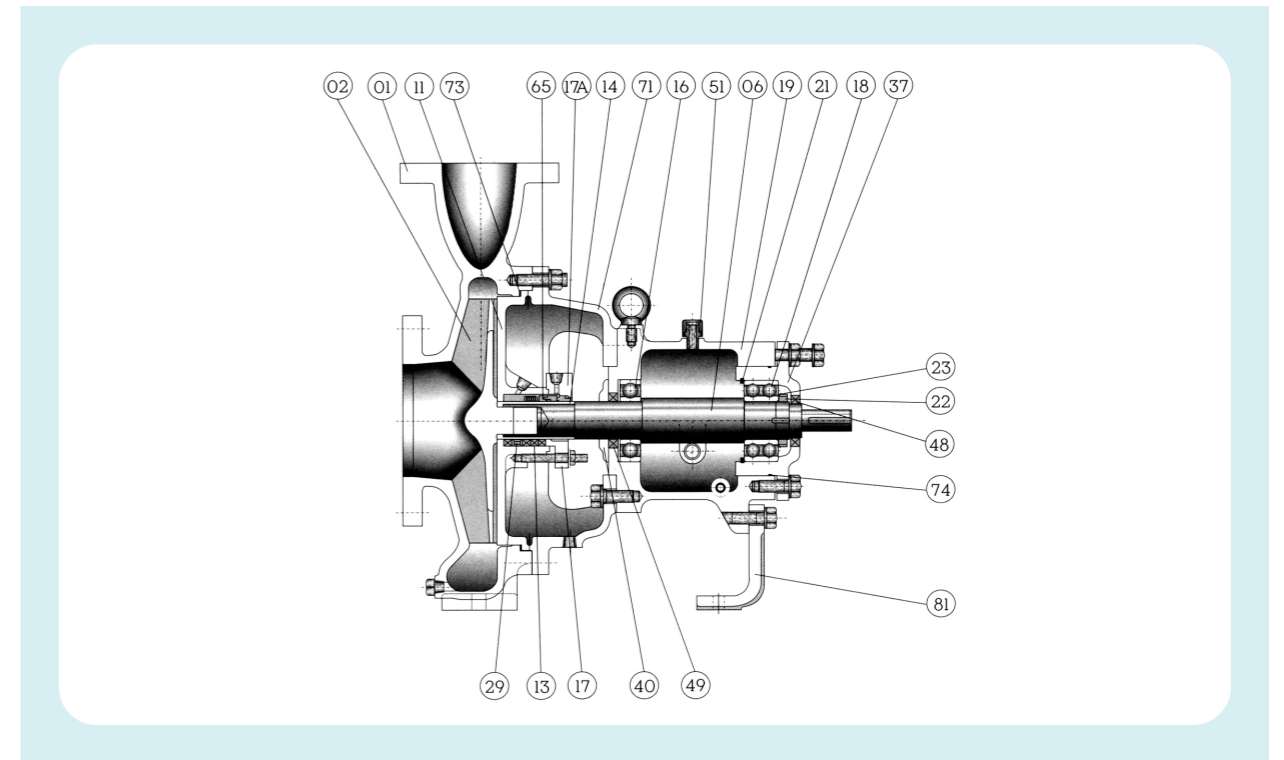
TECHNICAL DATA

Pump Group	Model	Min.Casing Thickness	Max.Test Pressure	Max.liquid Temp		Max.Dia Solide	Max.Allow.H-Power		Bearing Size
				w/o cool	w/cool		172rpm	320rpm	
S	1.5x1-6	9.5	26kg/cm ³	175°C	260°C	7.4	15kw	30kw	I.B 6307 O.B. 5307
	3x1.5-6	9.5	26kg/cm ³	175°C	260°C	9.7	15kw	30kw	
	3x2-6	9.5	26kg/cm ³	175°C	260°C	9.5	15kw	30kw	
	1.5x1-8	9.5	26kg/cm ³	175°C	260°C	7.4	15kw	30kw	
	3x1.5-8	11.1	26kg/cm ³	175°C	260°C	9.6	15kw	30kw	
M	3x2-8	11.1	26kg/cm ³	175°C	260°C	10.2	55kw	110kw	I.B 6310 O.B. 5310
	4x3-8	11.1	26kg/cm ³	175°C	260°C	17.5	55kw	110kw	
	2x1-10	11.1	26kg/cm ³	175°C	260°C	6.8	55kw	110kw	
	3x1.5-10	11.1	26kg/cm ³	175°C	260°C	5.6	55kw	110kw	
	3x2-10	11.1	26kg/cm ³	175°C	260°C	9.5	55kw	110kw	
	4x3-10	12.7	26kg/cm ³	175°C	260°C	15.9	55kw	110kw	
	4x3-10M	12.7	26kg/cm ³	175°C	260°C	16.2	55kw	110kw	
	6x4-10	12.7	26kg/cm ³	175°C	260°C	23.7	55kw	110kw	
	6x4-10M	12.7	26kg/cm ³	175°C	260°C	1.4	55kw	110kw	
	3x1.5-13	12.7	26kg/cm ³	175°C	260°C	6.2	55kw	110kw	
	3x2-13	12.7	26kg/cm ³	175°C	260°C	9.5	55kw	110kw	
	4x3-13	12.7	26kg/cm ³	175°C	260°C	15.9	55kw	110kw	
	6x4-13	12.7	26kg/cm ³	175°C	260°C	1.4	55kw	110kw	
L	8x6-12	12.7	26kg/cm ³	175°C	260°C	17.5	220kw	110kw	I.B 6314 O.B. 5314
	10x8-14	16	26kg/cm ³	175°C	260°C	1.4	220kw	110kw	
	6x4-16	16	26kg/cm ³	175°C	260°C	20.6	220kw	110kw	
	8x6-16	16	26kg/cm ³	175°C	260°C	20.6	220kw	110kw	
	10x8-16	16	26kg/cm ³	175°C	260°C	28.6	220kw	110kw	

SELECTION CHART

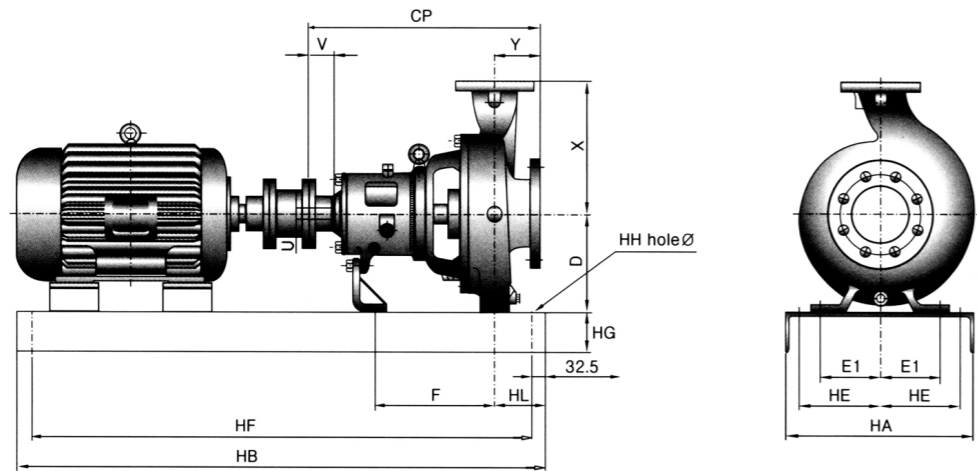


SELECTION VIEW



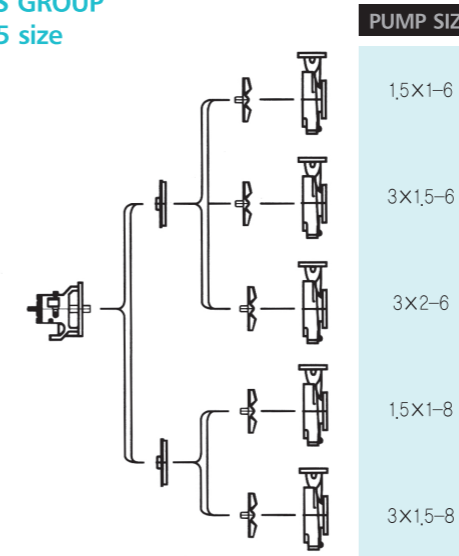
Part No.	Part Name	No. Req'd Per Pump	Material					
			Cast Iron	STS 304	STS 316	Alloy 20	Hast B/C	CD4Mcu
01	Casing	1	GC 200	SSC 13	SSC 14	Alloy 20	Hastelloy	CD4Mcu
02	Impeller	1	GC 200	SSC 13	SSC 14	Alloy 20	Hastelloy	CD4Mcu
06	Shaft	1	SM45C	STS 304	STS 316			
11	Casing Cover	1	GC 200	SSC 13	SSC 14	Alloy 20	Hastelloy	CD4Mcu
13	Gland Packing	4	TEFLON					
14	Shaft Sleeve	1	STS 304		STS 316	Alloy 20	Hastelloy	CD4Mcu
16	Ball Bearing	1	STB 2					
17	Glang	1	GC 200	SSC 13	SSC 14	Alloy 20	Hastelloy	CD4Mcu
17A	Seal Cover	1	SM45C	STS 304	STS 316	Alloy 20	Hastelloy	CD4Mcu
18	Ball Bearing	1	STB 2					
19	Bearing Housing	1	GC 200					
21	Retaining Ring	1	SK 5					
22	Bearing Nut	1	SS 400					
23	Bearing Washer	1	SS 400					
29	Lantern Ring	1	BrC 3	STS 304	STS 316	Alloy 20	Hastelloy	CD4Mcu
37	Bearing Cover	1	GC 200					
40	Deflector	1	RUBBER					
48	Oil Seal	1	NBR					
49	Oil Seal	1	NBR					
51	Oil Filling Cap	1	SS 400					
65	Mechanical Seal	1set						
71	Adapter	1	GC 200					
73	Casing Gasket	1	NBR					
74	Bearing Cover O-Ring	1	NBR					
81	Support	1	GC 200					

OUTLINE DIMENSIONS



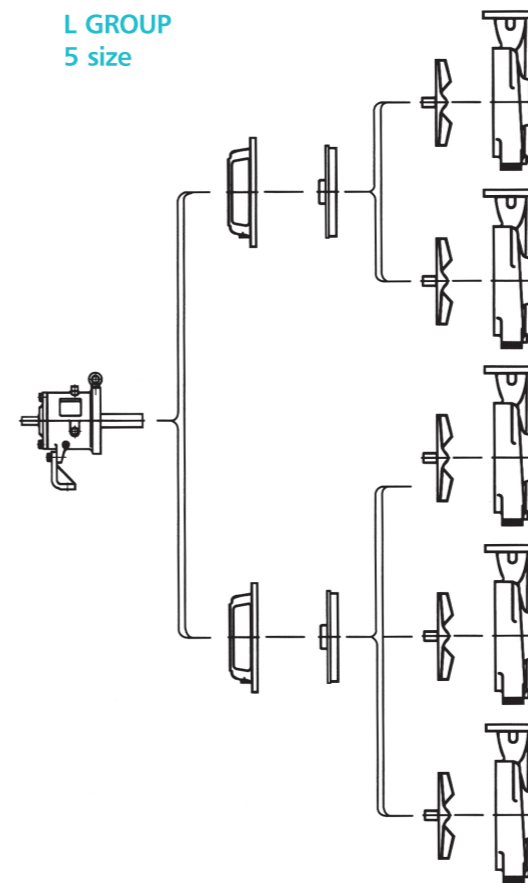
MODULAR INTERCHANGEABILITY

**S GROUP
5 size**



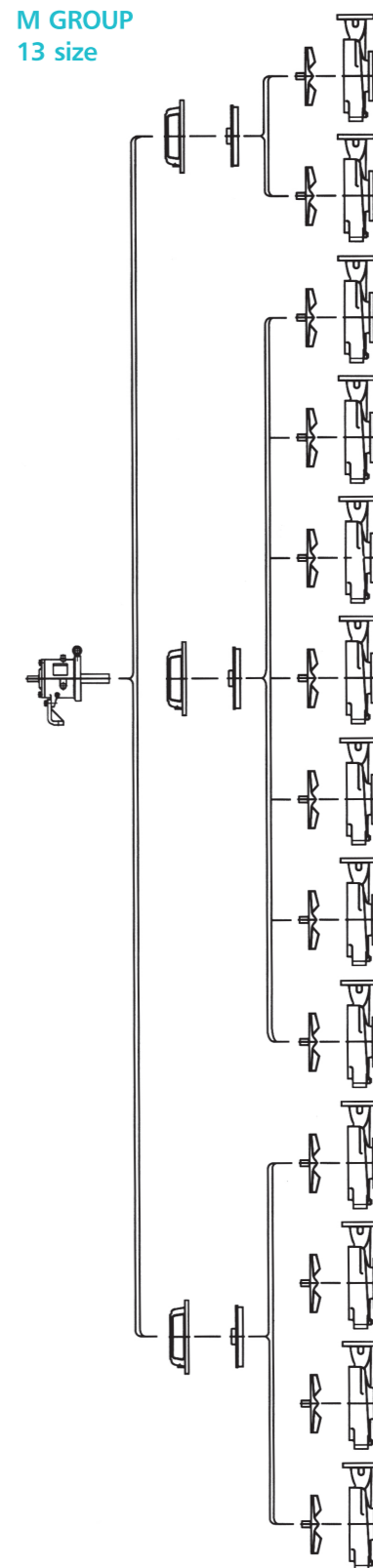
PUMP SIZE
1,5x1-6
3x1,5-6
3x2-6
1,5x1-8
3x1,5-8

**L GROUP
5 size**



PUMP SIZE
8x6-14
10x8-14
6x4-16
8x6-16
10x8-16

**M GROUP
13 size**



PUMP SIZE
3x2-8
4x3-8
2x1-10
3x1,5-10
3x2-10
4x3-10
4x3-10M
6x4-10
6x4-10M
3x1,5-13
3x2-13
4x3-13
6x4-13

Pump Group	Model	ANSI No.	Pump Dimensions(mm)									Weight (kg)
			X	D	E1	CP	F	U	key size	V	Y	
S	1.5x1-6	AA	165	133	76	445	184	24	8bx7h	51	102	38
	3x1.5-6	AB	165	133	76	445	184	24	8bx7h	51	102	43
	3x2-6	A10	165	133	76	445	184	24	8bx7h	51	102	45
	1.5x1-8	AA	165	133	76	445	184	24	8bx7h	51	102	48
	3x1.5-8	AB	190	178	76	445	184	24	8bx7h	51	102	51
M	3x2-8	A60	242	210	124	597	318	29	8bx7h	67	102	93
	4x3-8	A70	280	210	124	597	318	29	8bx7h	67	102	102
	2x1-10	A05	216	210	124	597	318	29	8bx7h	67	102	93
	3x1.5-10	A50	216	210	124	597	318	29	8bx7h	67	102	101
	3x2-10	A60	242	210	124	597	318	29	8bx7h	67	102	106
	4x3-10	A70	280	210	124	597	318	29	8bx7h	67	102	116
	4x3-10M	A40	318	254	124	597	318	29	8bx7h	67	102	127
	6x4-10	A80	343	254	124	597	318	29	8bx7h	67	102	140
	6x4-10M	A80	343	254	124	597	318	29	8bx7h	67	102	152
	3x1.5-13	A20	266	254	124	597	318	29	8bx7h	67	102	114
	3x2-13	A30	292	254	124	597	318	29	8bx7h	67	102	121
	4x3-13	A40	318	254	124	597	318	29	8bx7h	67	102	147
	6x4-13	A80	343	254	124	597	318	29	8bx7h	67	102	162
L	8x6-12	A90	406	368	203	860	476	60	18bx11h	102	152	257
	10x8-14	A100	457	368	203	860	476	60	18bx11h	102	152	285
	6x4-16	A110	457	368	203	860	476	60	18bx11h	102	152	298
	8x6-16	A120	483	368	203	860	476	60	18bx11h	102	152	386

Pump Group	Motor Frame	Base Plate	Baseplate Mounting Dimensions						
			HA	HB	HE	HF	HG	HL	HH
S	90S~112M	1T	254	890	102	825	76	114	19
	132S~132M	2T	305	990	114	925	82	114	19
M	90S~132M	1	305	1140	114	1075	95	114	19
	160M~180L	2	391	1320	152	1255	105	114	19
	200M~225L	3	467	1475	191	1410	121	114	25
	250S~280S	4	467	1520	191	1455	121	114	25
L	180M~225M	5	559	1730	241	1665	121	165	25
	250S~280M	6	559	2032	241	1967	121	165	25